



Key Performance Features:

- High Energy Neodymium Magnets
- Operating Speeds to 6,000 RPM
- High Torque to Size Ratio
- Encoder Ready
- NEMA 23 Flange Mounting
- CE Certificate Available
- 24-170 VDC Typical Bus Voltage

B23

BRUSHLESS
SERVO
MOTOR
SERIES

Motor Characteristics (4 pole design)

FRAME SIZE	STACK LENGTH	PEAK STALL TORQUE (T _s) OZ-IN	CONT. STALL TORQUE (T _c) OZ-IN	FRICTION TORQUE (T _f) OZ-IN	ROTOR INERTIA (J _m) OZ-IN-SEC ²	THERMAL RESISTANCE (RM) °C/WATT	MAX RECOMMEND SPEED RPM	MAX WINDING TEMP. °C	ELEC. TIME CONSTANT MSEC	POWER RANGE W	WEIGHT LB
B23 -- 075		120	40	3.5	0.0008	1.5	6000	155	0.8	100	1.1
B23 -- 150		240	80	4.4	0.0015	1.0	6000	155	1.2	180	1.8
B23 -- 225		342	114	5.6	0.0023	0.9	6000	155	1.4	240	2.6
B23 -- 300		432	144	6.6	0.0030	0.8	6000	155	1.6	300	3.3

Sample Windings

CONSULT MAGMOTOR APPLICATION STAFF FOR OTHER AVAILABLE WINDINGS

	B23 -- 075				B23 -- 150				B23 -- 225				B23 -- 300			
	E	G	I	K	E	G	I	K	E	G	I	K	E	G	I	K
Torque Constant (Kt) oz-in/amp	2.67	4.31	6.83	10.36	5.34	8.62	13.04	20.70	7.99	12.66	20.00	31.75	10.26	16.30	26.00	41.25
Voltage Constant (Ke) Volts/Krpm	1.97	3.19	5.05	7.90	3.95	6.37	9.64	15.96	5.92	9.38	14.80	23.93	7.59	12.05	19.2	30.50
L-L Resistance (Rt) Ohms (cold)	0.17	0.43	1.07	2.62	0.24	0.60	1.43	3.40	0.29	0.71	1.74	4.27	0.32	0.80	2.00	4.99
Inductance (L-L) mH	0.17	0.41	1.03	2.50	0.28	0.67	1.71	4.00	0.37	0.93	2.40	4.74	0.48	1.20	3.05	7.43
Peak Current (A) Amps	66	42	26	16	66	42	26	16	66	42	26	16	66	42	26	16

VALUES AS LISTED ARE TEST CONDITIONS, ACTUAL RESULTS MAY VARY

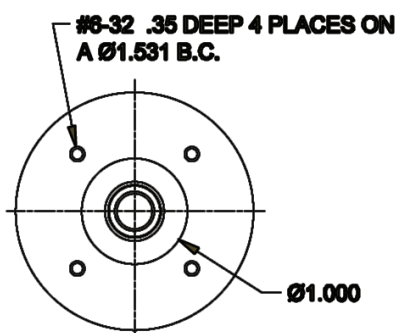
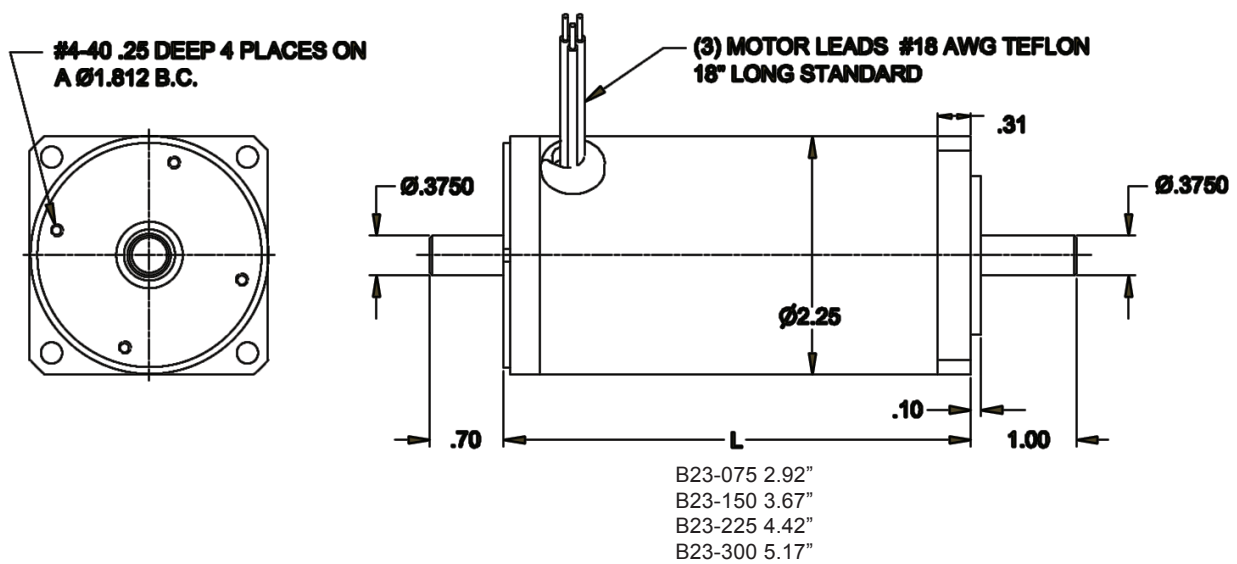
▼ B23 Series Options

- Optical Encoders
- Hall Sensor or Commutation Encoder
- Gear Boxes and Brakes
- Application Specific Windings and Mechanical designs
- Custom Cables and Connectors
- For more options, see magmotor.com custom solutions, or call us.

▼ Typical Applications

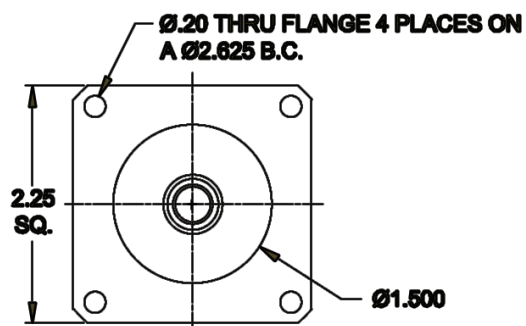
- Semiconductor Equipment
- Medical Equipment
- Automated Assembly Machines
- Laboratory Equipment
- Pharmaceutical Equipment
- X-Y-Z Positioning Machines

Magmotor™



FACE MOUNT

Note: Feedback Options See Page 3



**NEMA 23
FLANGE MOUNT**